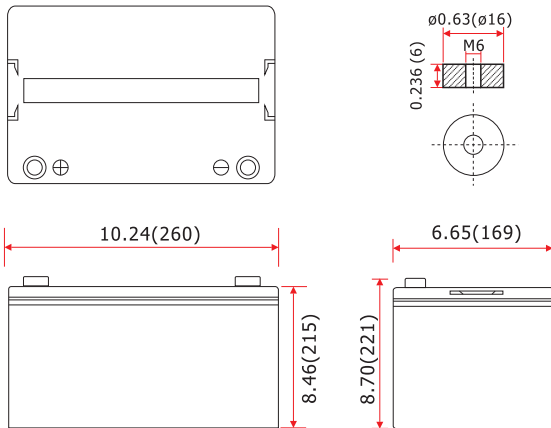


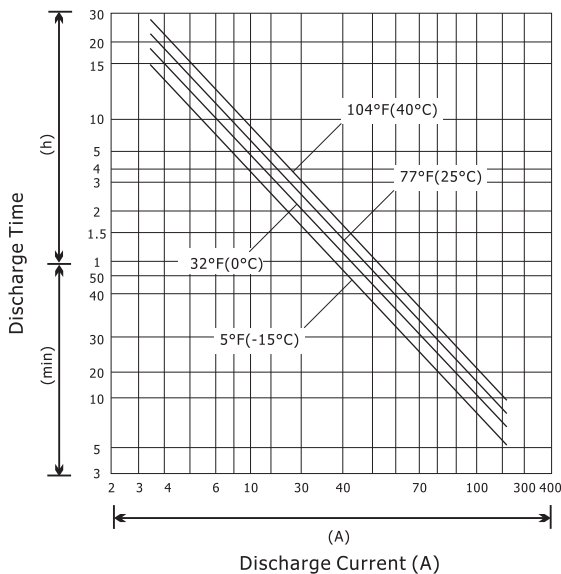
## FB70-12G

12V70Ah Lead Acid Gel Battery

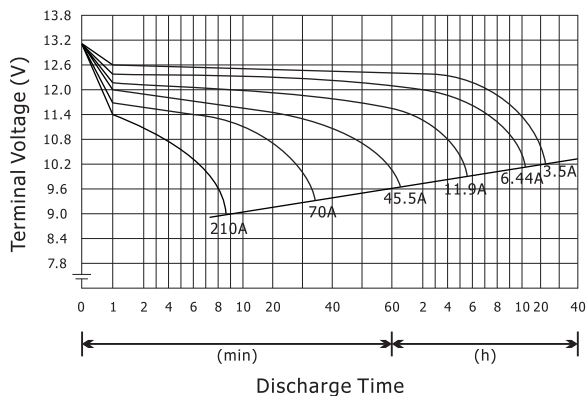
Unit:inch(mm)



### Discharge Current and Discharge Duration Time



Discharge Curves 77°F(25°C)



### Specification

Nominal Voltage		12V
Rated Capacity (20hr Rate)		70Ah
Dimensions	Length	10.24inches (260mm)
	Width	6.65inches (169mm)
	Height	8.46inches (215mm)
Total Height	8.70inches (221mm)	
Weight	Approx. 47.62lbs (21.6kg)	
<b>Characteristics</b>		
Capacity 77°F(25°C)	20hour rate (3.50A)	70.0Ah
	10hour rate (6.44A)	64.4Ah
	5hour rate (11.9A)	59.5Ah
	1hour rate (45.5A)	45.5Ah
Internal Resistance	Full Charged, 77°F(25°C)	7mΩ
Capacity Affected By Temperature (10hr Rate)	104°F(40°C)	102%
	77°F(25°C)	100%
	32°F(0°C)	85%
	5°F(-15°C)	65%
Self-Discharge 77°F(25°C)	Capacity after 3 month storage	90%
	Capacity after 6 month storage	85%
	Capacity after 9 month storage	65%
Charge (Constant Voltage)	Initial Charge Current "LESS" than 21.0A	
	Cycle	14.2–14.5V/77°F(25°C)
	Stand By	13.4–13.7V/77°F(25°C)

\*\*These data are average values obtained from three Charge/Discharge cycles. Note: These are NOT minimum values.

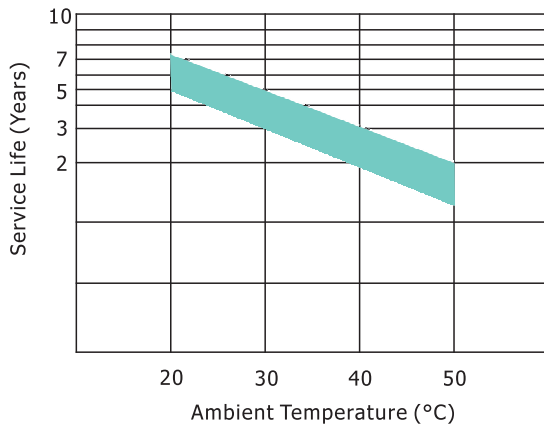
## Constant Current Discharge Characteristics Unit: A (25°C / 77°F)

F.V/Time	5MIN	10MIN	15MIN	30MIN	1HR	2HR	3HR	5HR	8HR	10HR	20HR
9.6V	262	180	138	84.7	49.1	27.9	20.3	13.1	8.61	7.07	3.78
10.0V	242	169	131	81.9	48.2	27.4	20.1	12.8	8.47	6.95	3.71
10.2V	233	165	128	81.2	47.7	27.2	19.8	12.7	8.41	6.91	3.64
10.5V	214	155	122	79.1	46.5	26.8	19.5	12.5	8.26	6.82	3.50
10.8V	193	144	115	76.3	45.8	26.3	19.1	12.2	8.05	6.71	3.51
11.1V	169	130	106	72.1	44.4	25.6	18.5	11.9	7.91	6.58	3.36

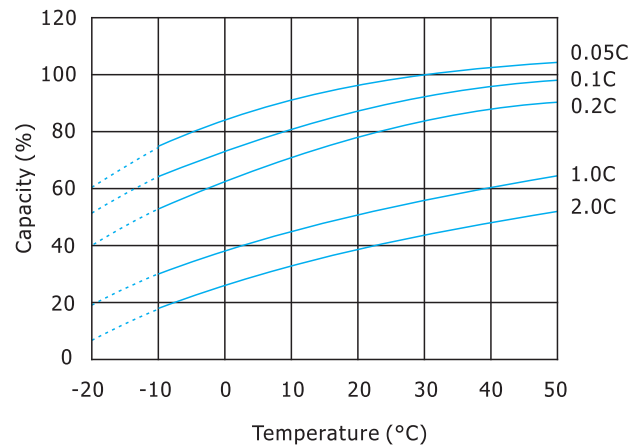
## Constant Power Discharge Characteristics Unit: W (25°C / 77°F)

F.V/Time	5MIN	10MIN	15MIN	30MIN	1HR	2HR	3HR	5HR	8HR	10HR	20HR
9.6V	2816	1987	1556	956	561	321	235	151	100	81.9	42.9
10.0V	2583	1861	1466	928	550	317	230	149	98.7	80.5	42.5
10.2V	2461	1805	1425	914	545	314	228	148	98.1	79.8	42.1
10.5V	2269	1715	1352	887	534	309	224	146	96.5	79.1	41.7
10.8V	2049	1560	1271	853	522	302	219	142	94.5	77.7	41.2
11.1V	1821	1417	1189	816	508	295	214	139	92.4	76.3	39.6

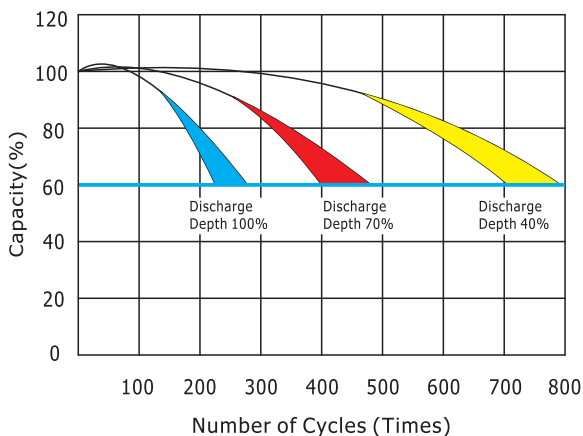
### Trickle / Float Service Life



### Effect of Temperature on Capacity



### Cycle Service Life (@25°C/77°F)



### Capacity Retention Characteristic

