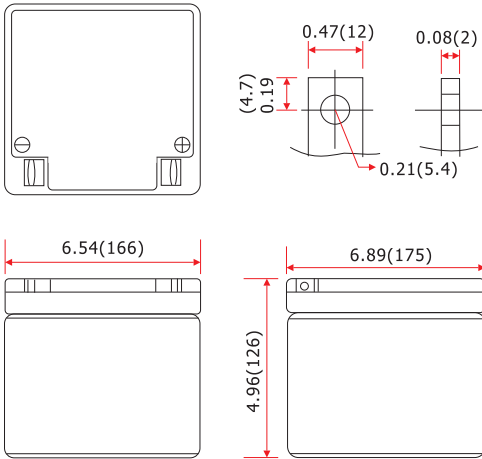


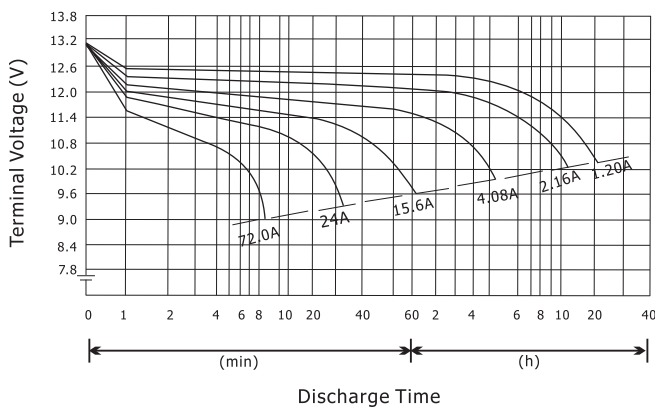
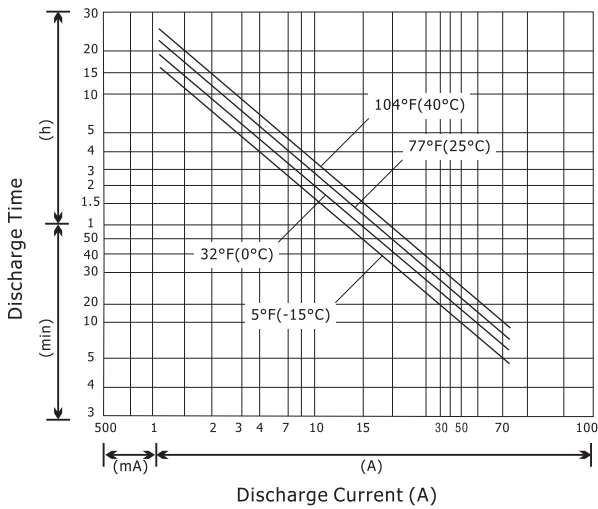
FB24-12

12V24Ah Lead Acid Battery

Unit:inch(mm)



■ Discharge Current and Discharge Duration Time



■ Specification

Nominal Voltage		12V
Rated Capacity (20hr Rate)		24Ah
Dimensions	Length	6.54inches (166mm)
	Width	6.89inches (175mm)
	Height	4.96inches (126mm)
Total Height		4.96inches (126mm)
Weight	Approx. 16.56lbs (7.51kg)	
■ Characteristics		
Capacity 77°F(25°C)	20hour rate (1.20A)	24.0Ah
	10hour rate (2.16A)	21.6Ah
	5hour rate (4.08A)	20.4Ah
	1hour rate (15.6A)	15.6Ah
Internal Resistance	Full Charged, 77°F(25°C)	15mΩ
Capacity Affected By Temperature (10hr Rate)	104°F(40°C)	102%
	77°F(25°C)	100%
	32°F(0°C)	85%
	5°F(-15°C)	65%
Self-Discharge 77°F(25°C)	Capacity after 3 month storage	90%
	Capacity after 6 month storage	85%
	Capacity after 9 month storage	65%
Charge (Constant Voltage)	Initial Charge Current "LESS" than 7.20A	
	Cycle	14.4-15.0V/77°F(25°C)
	Stand By	13.5-13.8V/77°F(25°C)

**These data are average values obtained from three Charge/Discharge cycles. Note: These are NOT minimum values.

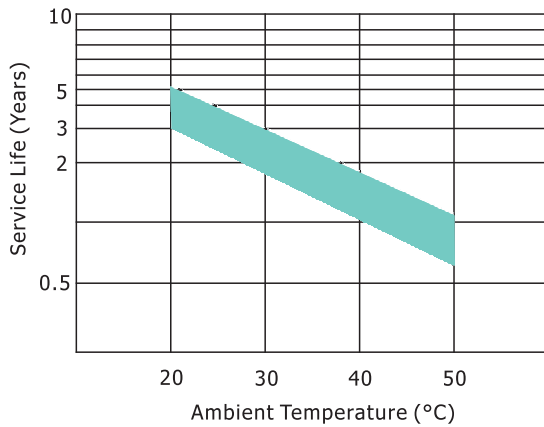
Constant Current Discharge Characteristics Unit: A (25°C / 77°F)

F.V/Time	5MIN	10MIN	15MIN	30MIN	1HR	2HR	3HR	5HR	8HR	10HR	20HR
9.6V	89.3	61.4	46.1	28.1	16.6	9.48	6.91	4.42	2.93	2.40	1.29
10.0V	82.6	57.8	43.9	27.1	16.3	9.29	6.82	4.34	2.88	2.35	1.28
10.2V	79.2	56.2	42.7	26.6	16.2	9.17	6.74	4.32	2.86	2.33	1.26
10.5V	72.7	52.8	40.8	25.7	15.8	9.02	6.62	4.27	2.81	2.30	1.25
10.8V	65.8	49.0	38.4	24.7	15.5	8.81	6.48	4.15	2.74	2.26	1.20
11.1V	57.6	43.9	35.3	23.8	15.2	8.64	6.24	4.08	2.69	2.23	1.15

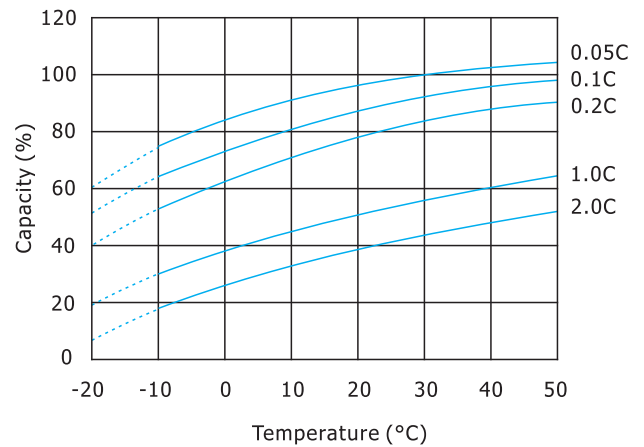
Constant Power Discharge Characteristics Unit: W (25°C / 77°F)

F.V/Time	5MIN	10MIN	15MIN	30MIN	1HR	2HR	3HR	5HR	8HR	10HR	20HR
9.6V	961	680	532	326	190	108	78.7	51.4	33.8	27.4	14.5
10.0V	884	636	501	316	186	106	76.8	50.4	33.1	26.9	14.4
10.2V	842	617	486	311	184	105	75.8	49.7	32.9	26.6	14.3
10.5V	775	578	460	302	180	103	74.4	48.7	32.2	26.2	14.2
10.8V	700	532	432	289	176	101	72.5	47.3	31.2	25.4	13.9
11.1V	622	483	404	276	171	98	70.6	46.1	30.5	24.7	13.2

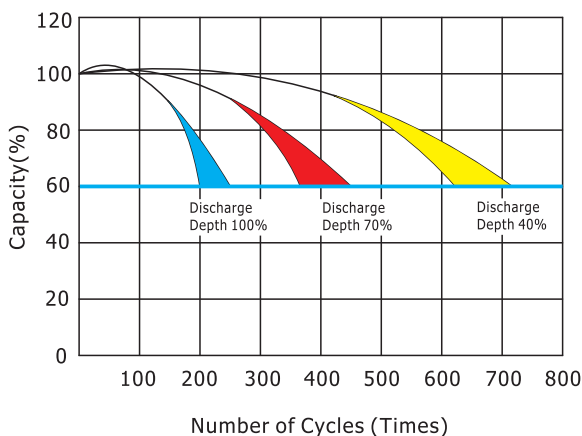
Trickle / Float Service Life



Effect of Temperature on Capacity



Cycle Service Life (@25°C/77°F)



Capacity Retention Characteristic

